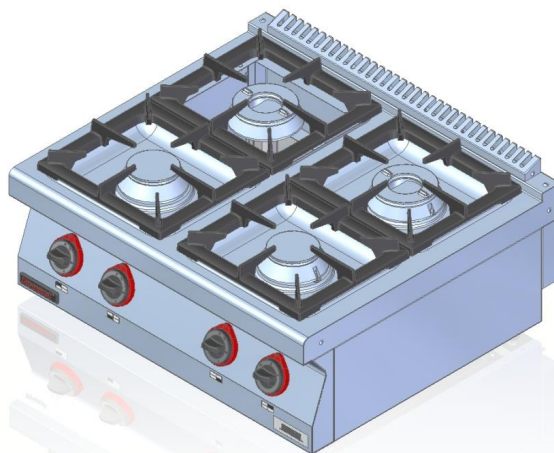


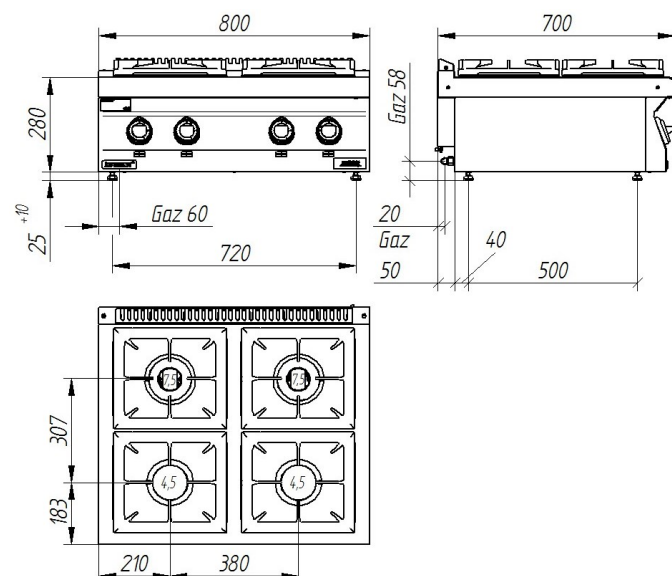
Model:	700.KG-4	800x700x280 [mm]	
	700.KG-4/S-800	800x700x900 [mm]	
	700.KG-4/T-800	800x700x900 [mm]	
Burners	Number	2	2
	Ø	104 mm	128 mm
Power rating		4.5 kW	7.5 kW
		3870 kcal/h	6450 kcal/h
Power rating	24 kW		
Gas connection	R1/2		
Gas consumption	E G20 [20mbar]	m ³ /h	3.2
	Lw G27 [20mbar]	m ³ /h	3.71
	3B/P G30 [37mbar]	kg/h	2.23



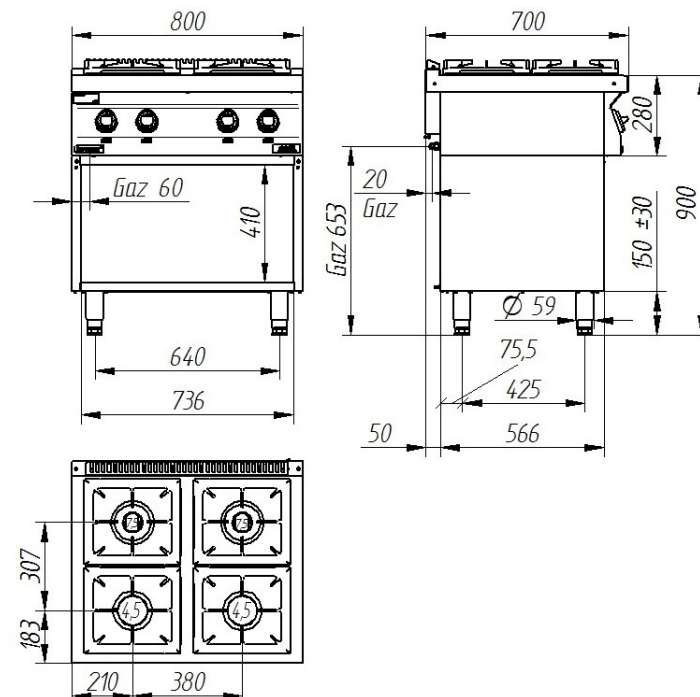
Description:

Gas cookers are made of high-grade stainless steels. Working plate made of AISI 304 stainless steel with thickness ≠ 1.5mm. Burners and grates made of cast-iron. Removable bowls for liquids ejected when cooking under burners. Adjustable burner power. Cooker is equipped with pilot burner with flame safety device. Grill adapters (smooth, grooved), reduction adapters and Wok grate can be used.

700.KG-4



**700.KG-4/S-800
700.KG-4/T-800**



The picture is for reference only; final product may be slightly different from the presented example.